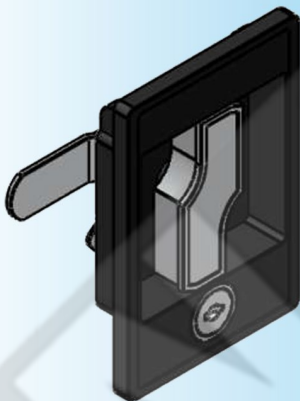


For Product Step File or 3D Model Send a Request Mail To info@nrack.com

Photo View



3D Rendered View



KL - 10

- Material: Zinc Die Casting, Steel Cam
- Finish: Black

